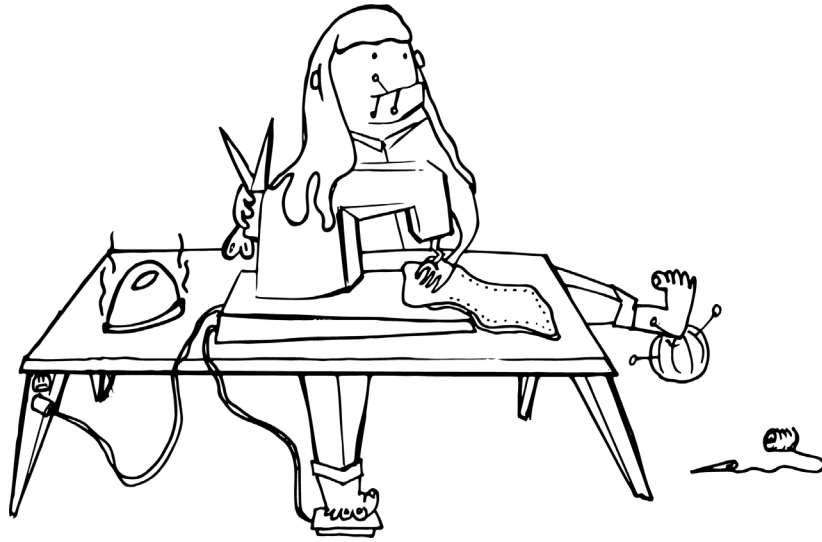


# EPL Sewing Certification Checklist

What are some hazards below and what are four safe practices while sewing.



Identify the following parts of the machine

1. Power button
2. Handwheel - Rotate the handwheel in the proper direction.
3. Stitch Selector - Set the machine for a straight stitch.
4. Thread Tension Dial
5. Stitch Width Dial
6. Stitch Length Dial
7. Presser Foot

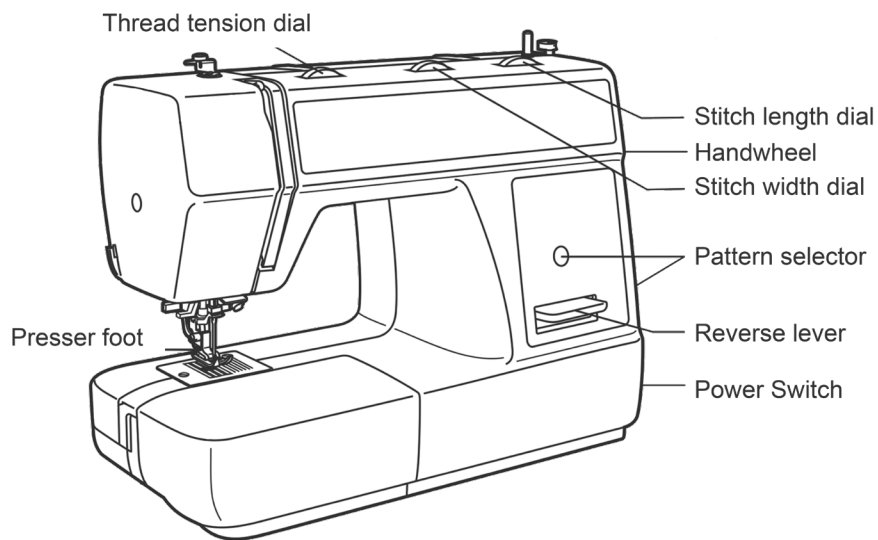
Complete the following tasks

1. Wind the Bobbin.
2. Load the Bobbin.
3. Upper threading.
4. Pull up the bobbin thread.
5. Sew a straight line.
6. Backstitch the end of the straight line.

# EPL Sewing Certification Checklist

## Safe practices while sewing

1. Inspect machine and cord for damage.
2. Turn machine off before making adjustments in the needle area.
3. Keep fingers a safe distance from the needle.
4. Do not use bent or broken needles.
5. Do not sew over pins. Do not put pins or needles in your mouth.
6. Put pins and needles back when done



## Completed Tasks

- Wind the Bobbin.
- Load the Bobbin.
- Upper threading.
- Pull up the bobbin thread.
- Sew a straight line.
- Backstitch the end of the straight line.